

BaitStar Xpert

GPS Operation Instruction



!Golden Bait boat rules!

1. A bait boat is a hyper modern device equipped with highly advanced, sensitive electronics and parts, so treat it with the utmost care and caution at all times!
2. NEVER back up your boat with a rig in it, this gives you the chance that the line behind the boat will end up in the propeller with all its consequences.
3. NEVER put your boat unnecessarily in full sun, rain or cold!
4. Ventilate your boat regularly by opening the hood slightly so that condensation can escape (at least after each session, but preferably as often as possible)!
5. Be careful when putting down your boat and preferably place it on a thin (unhooking) mat
6. Always store your boat dry and clean!
7. Attach a neck strap to your transmitter and hang it around your neck during use
8. Always have (nearly) full batteries before you go fishing
9. NEVER store your boat with empty batteries for a long time!
10. Download the manual from our website (www.baitstar.nl) or request it via whatsapp.
11. Do not hesitate to contact us with questions and / or comments and for tips / tricks via WhatsApp or Telephone (+31 6 51979997)
12. Tight lines, Enjoy and catch some big lumps!

If you observe the above rules, you will enjoy your boat for many years and it will yield many beautiful and big fish!

Rgds

Berry Kuiper

BaitStar Baitboats

User Instruction:

I. Product introduction

1. Product introduction

Parameters of the BaitStar Xpert Intelligent Bait Boat:

Basic parameters	Boat parameters	Product model: BaitStar Xpert Dimension: 65cm (L) * 37cm (W) * 25cm (D) Net weight: 4.5kg Maximal loading: 3kg Bait hopper dimension: 24cm (L) * 15cm (W) * 13cm (D) Boat material: high-quality ABS engineering plastics
	Wireless performance	5.8GHz anti-interference remote controller 500m remote control distance
	Bait casting and hook dropping	2 independent bait hoppers (opened separately under control) Wearing-free electromagnet bait casting and hook dropping system.
	Product performance	Two sets of lithium batteries (12V13AH) with 5-hour duration Imported high-performance high-torque ultra-silence motor Waterproof design of the whole boat Double boat body design and resistance to Class 5-6 storm Double motor driving, best operation and control performance and ability to turn around in any situation Stepless speed change and maximum operation rate of 120m/min Front white and rear blue ultra-bright LED lamp Protective system resistant to waterweeds and fish line winding Reserved fish finder and GPS navigation installation port Reserved bait thrower, Charging voltage of AC220 for boat charger

1. Introduction to the GPS automatic driving function

1-1 Operation notices of GPS automatic driving function

(1) About 5-10 min after startup, the satellite signals will be stable. When 10 satellites are available, the automatic driving function can be enabled. When more than 15 satellites are available and the boat is located in an open area without any obstacle, the positioning precision can reach about 1m.

(2) Every time the boat arrives at the fishing place, please first set the origin to ensure that the boat can automatically return to the origin in case of an emergency. It is recommended to set the origin at the water surface several meters away from the bank. The automatic driving function shall be enabled at the origin. The bow shall point to the extensive water surface as much as possible to prevent the boat from stranding on the bank during automatic steering.

(3) Before the automatic driving function is used, the double-motor speed adjustment knob shall be manually adjusted to make the boat advance without deviation on the still water surface. The double knobs for motor speed adjustment shall be adjusted to the maximum clockwise. When the boat deviates to the left in sailing, the right knob shall be slowly adjusted anticlockwise, vice versa.

(4) When the boat cannot receive the signals from the remote controller or the boat power reduces to the minimum warning value, the boat will automatically enable the returning function and return to the origin. The right stick shall be located on the middle position in automatic return. Otherwise, it will interfere with normal return. Four lamps will continuously flicker in automatic return.

(5) When the power of the remote controller is consumed up or the remote control function fails, please turn off the power of the remote controller. The boat will automatically enable the returning function and return to the origin after 7s. Four lamps will continuously flicker in automatic return.

(6) When the boat power reduces to about 30%, the red power indicator of the boat will be on and you can continue using the boat for about 15 min. When the power reduces to about 20%, the remote controller will give out the power alarm and the red power indicator of the boat will begin to flicker. At this time, the boat may enable automatic returning function in case of lower power. You shall stop using the boat immediately and charge it.

(7) The remote controller shall be powered by high-quality AA-sized batteries such as GP or Duracell or high-capacity AA-sized charging batteries. When the power of the remote controller reduces to 30%, the power alarm will be given out. When the power reduces to be under 20%, please change the batteries of the remote controller in time. In addition, always make sure that the remote controller has enough spare batteries for use at any time. Otherwise, when the power of the remote controller is consumed up, the boat cannot be controlled and an emergency will occur.

(8) Before the GPS automatic driving function is enabled, please make the right stick located on the middle position. Manual operation is always dominant in automatic driving. When you operate the right stick or press “Exit” key during this period, the automatic driving program will terminate and the boat will switch to the manual operation mode.

(9) To ensure that the boat keeps within the valid coverage during sailing the longest distance of the GPS automatic driving is 300m. The automatic return is not restricted in case of an emergency.

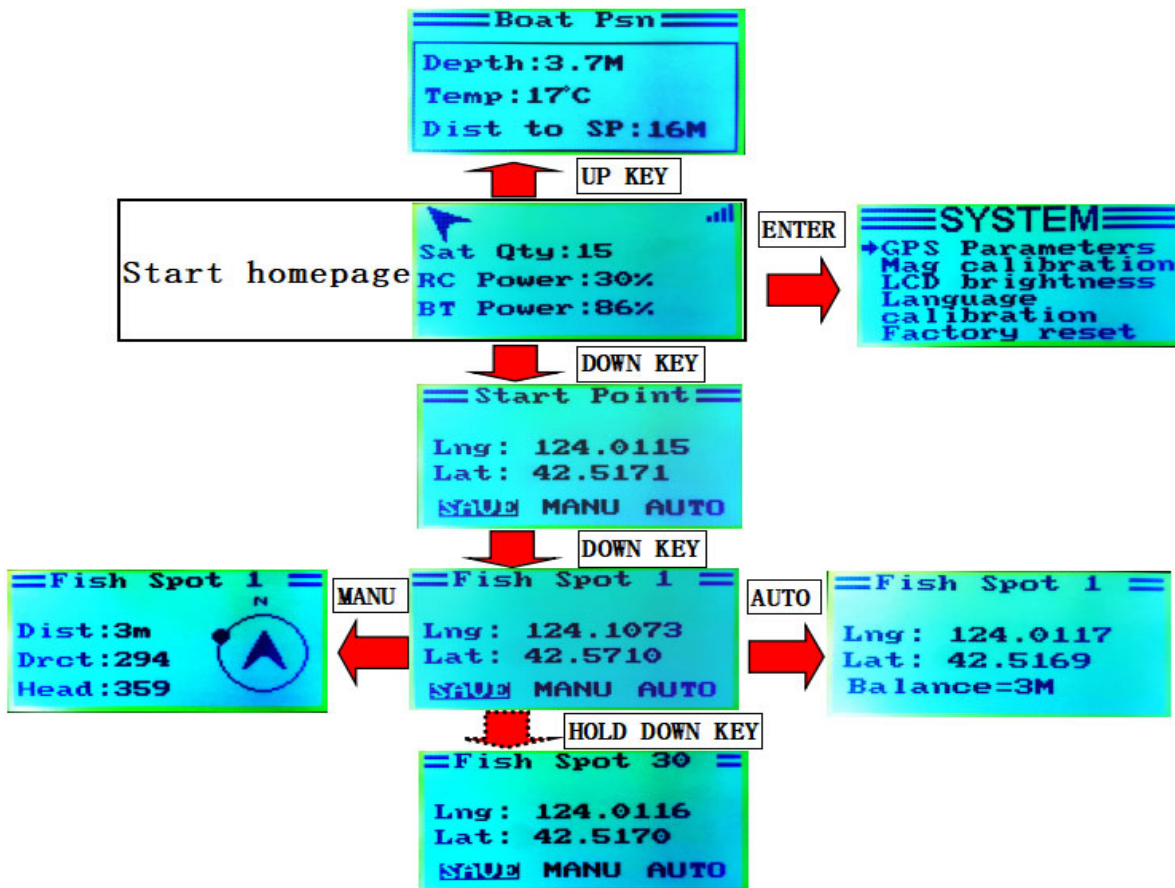
(10) If the automatic driving cannot keep the correct direction in the stormy weather, please switch to the manual navigation mode.

3-2 Operation introduction to GPS automatic driving

3-2-1 Operation instruction for remote controller of GPS automatic driving is as follows



3-2-2 Operation menu of GPS function is as follows



- (1) Startup homepage: The startup homepage includes the satellite quantity, power of remote controller and boat power percentage. The sailing direction will be displayed in real time at the left up corner and the signal strength of the remote control will be displayed at the right up corner.
- (2) Electronic compass correction for startup: To ensure correct orientation of the bow at the top left corner of the homepage, please calibrate the electronic compass as follows:

Homepage (OK key) →calibrate terrestrial magnetism (OK key) → horizontally rotate the remote controller by one round (OK key) →vertically rotate the remote controller by one round (OK key. Press Exit key and return to the homepage)

- (3) Set the origin: After the boat arrives at the fishing field, first set the origin as follows:

Homepage (down key) → origin homepage (hold Ok key) → prompt to select “OK” → Save successfully (set the origin successfully)

- (4) Position point saving function and manual and automatic function:
When any position point is saved, the manual function indicates to arrive at the position point via manual operations on the graphic navigation. The automatic function indicates to automatically drive the boat to the position point. Operations are described as follows:

Homepage (hold Down key) → page at any position point (OK key) → select manual or automatic (Hold the OK key) → enable manual or automatic function

The manual operation images are introduced as follows:



- (5) View the real-time distance of the boat from the origin. This function is operated as follows:

Homepage (up key) → Display of information such as distance from the origin

2. Battery charging

(1) Charge the boat battery pack by using the charger

The original 12.6V/5A charger shall be used to charge the boat battery pack. Keep the boat power off in charging. The charger indicator is red in charging. After the battery pack is fully charged, the charger indicator becomes green.

Charging Method: Please take out two battery packs from the boat battery compartment, connect the original shunt current line to the charger, connect two ends of the shunt wire to two battery packs, and charge them simultaneously.

Simultaneously charge two battery packs with the charger for about 7-8 hours. When only one battery pack is charged, the duration will reduce by half.

3. Common questions and troubleshooting

1. The boat does not work after the power is turned on.

Reasons: (1) The battery power line is not connected or the battery power is too low; (2) Check the main control board
Troubleshooting method: Check power line connection of the left and right batteries, charge the batteries, and contact with after-sale personnel for replacement of the main control board.

2. The boat will deviate to one side in sailing.

Reasons: (1) The boat is affected by the water flow or stormy waves; (2) The different left and right loads lead to different left and right drafts of the boat; (3) The deviation is caused by pull of the hanging fish line.

Troubleshooting method: Adjust the sailing deviation correction knob of the remote controller.

3. The boat stops in the water due to an unknown reason, the lamp keeps flickering, and the remote controller does not work.

Reasons: (1) The remote control distance is exceeded; (2) The power of the remote controller is not turned on or the power is low; (3) The antenna is not installed in place or the antenna is damaged.

Troubleshooting method: Check the power of the remote controller, replace the batteries, hold the antenna of the remote controller high to the sky, move the remote controller to the boat, and check and replace the antenna.

4. The tail hopper door or the hook device cannot be opened.

Reasons: (1) The electromagnet line falls off; (2) The electromagnet is damaged; (3) The main control board is damaged; (4) The tail compartment load or the fish line pull exceeds the load.

Troubleshooting method: Check the line, replace the electromagnet and main control board, and adjust the tail hopper load or reduce the pull of the fish line.

5. The boat is out of control in the water and the lamps and other functions work normally.

Reasons: (1) The motor is wound with the fish lines or waterweeds; (2) The main control board is protected due to overload.

Troubleshooting method: Stop operation, cool the motor and main control board for several minutes, and then operate it. If the sailing function still cannot be controlled, take back the boat and check if the propeller is clean.

6. The water enters the boat compartment.

Reasons: (1) The battery port is not covered well or the adhesive tape is damaged and falls off; (2) The water seal of the tail shaft is damaged;

Troubleshooting method: Remove the water, ventilate the boat for dryness, check the boat and airtightness of the battery port, check airtightness of the tail shaft, and contact with the after-sale personnel.